



LEADERSHIP IN DRINKING WATER DISTILLERS

DESIGN • DURABILITY • DEPENDABILITY

ULTRAVIOLET LIGHT MODEL UV-5 INSTRUCTIONS

The Model UV-5 Ultraviolet light is an in-tank unit designed to be installed in Durastill 80, 100 and 150 gallon storage tanks. Light of the proper ultraviolet wave length will render many of the most common forms of bacteria ineffective after sufficient exposure.

CAUTION!

This fixture incorporates a lamp which emits ultraviolet radiation harmful to eyes and skin. Precautions should be taken to insure that personnel are not exposed to direct or reflected radiation. **BEFORE CLEANING OR RELAMPING, ALWAYS DISCONNECT POWER.**

The quartz tube and ultraviolet lamp should be handled only when cold, with clean cotton gloves or wrapper. Should the quartz or lamp be touched with bare hands, clean with alcohol to remove fingerprint oils. The quartz and lamp should be completely dry before operation.

Installation for the 80 & 150 gallon tanks

Note: The ultraviolet light is designed to fit 80 & 150 gallon tanks manufactured after March 1, 1984. These tanks can be identified by the two 1/4 in. holes on either side of the lid opening and the additional holes, in the distiller mounting brackets. If your 80 gallon tank is of the older version, contact the factory for the necessary modifications.

Also a stainless steel replacement float (400427) is necessary for the 80 & 150 gallon tanks. These may be purchased additionally from Durastill.

1. Unplug the 42-C and remove from top of storage tank.
2. Mount the distiller support brackets so the distiller will sit towards the back on the storage tank (see figure).
3. Replace plastic storage tank float with stainless float. Float spring clip will slide off float stem by twisting open slightly. Check float switch action after installation of stainless float. Float switch should "click" before the float hits the top of storage tank.
4. Install the long stainless bolts in mounting holes at lid opening (see figure). Bolts should be loose at this time so ultraviolet light box will mount easily.

5. Mount the ultraviolet control box on the 80 & 150 gallon tanks by threading mounting bolts up through bottom of box. With the box resting on the tank, rotate the bottom safety interlock switch downward so that the push rod will close the switch (see figure). Safety switch should "click" off if box is removed.

6. Replace distiller on storage tank. Note: There is a close fit between the distiller and the UV light box so care must be taken.

7. Insert the quartz tube with the teflon seal ring in the UV box. Screw on the retainer nut only hand tight. DO NOT OVERTIGHTEN. This may result in breaking quartz tube. If you wish to steam tank it may be done at this time.

8. Plug the UV lamp into the socket with the long set of white teflon coated wires. Insert this end partway into the quartz tube, then attach the second socket. Push lamp down inside of tube.

9. Place cover on UV box and tighten nuts so the cover is tight.

10. Plug in the UV control box, the indicator light will come on when light is operating.

The Ultraviolet system incorporates two safety switches that will turn off the lamp should the control box be opened or removed accidentally while power is still on. The indicator light will remain lit as long as the lamp is functioning, however the lamp's ultraviolet output decreases with age and should be replaced every 10 to 12 months.

FOR INSTALLATION IN MODEL 100 STORAGE TANK

Slide storage tank (the end opposite of the float box) out 6" from under storage tank frame.

Remove lid and lid bolts.

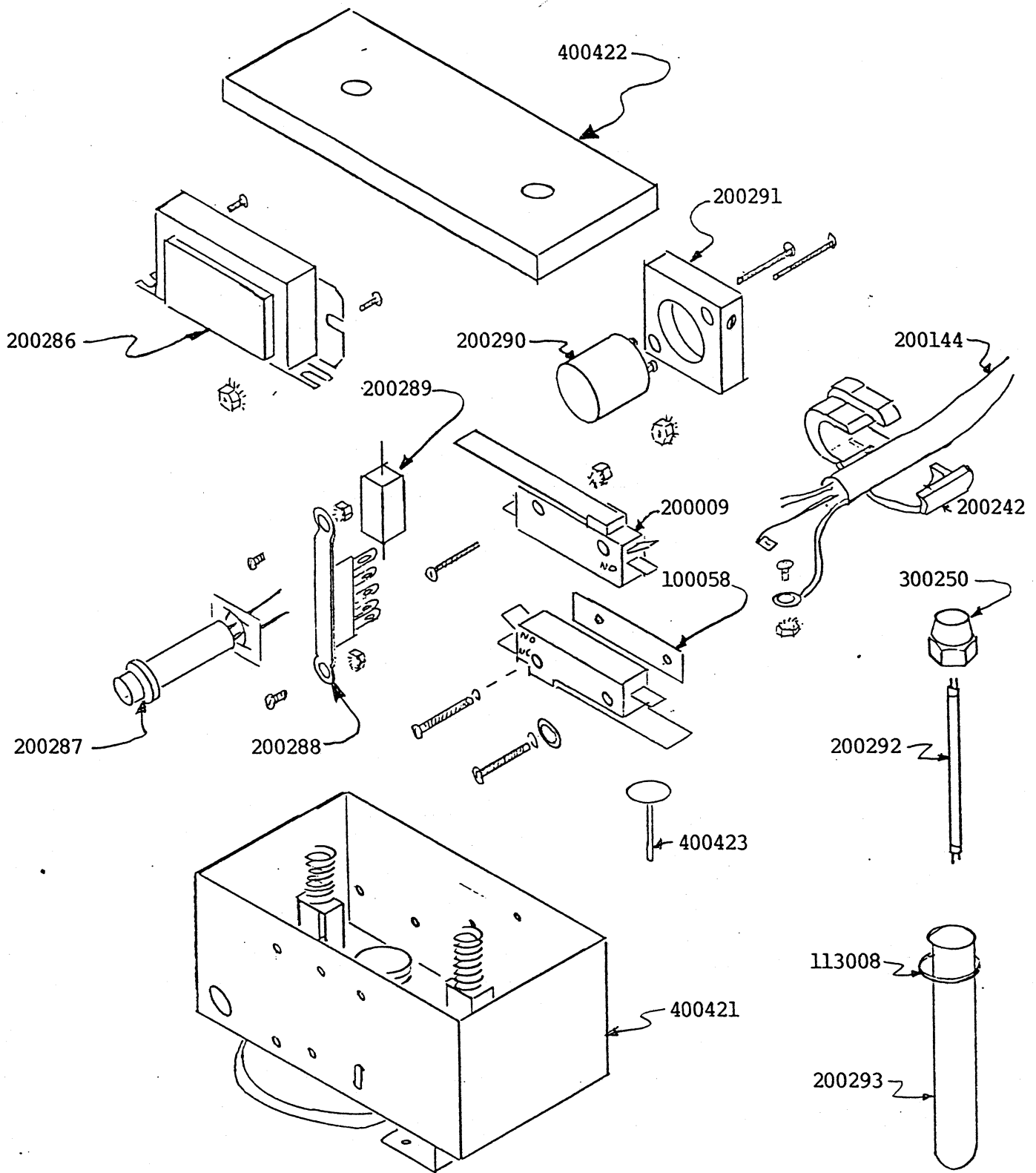
Follow steps 4, 5, 7, 8, 9, and 10 of 80 & 150 gallon installation instructions

Slide storage tank back.

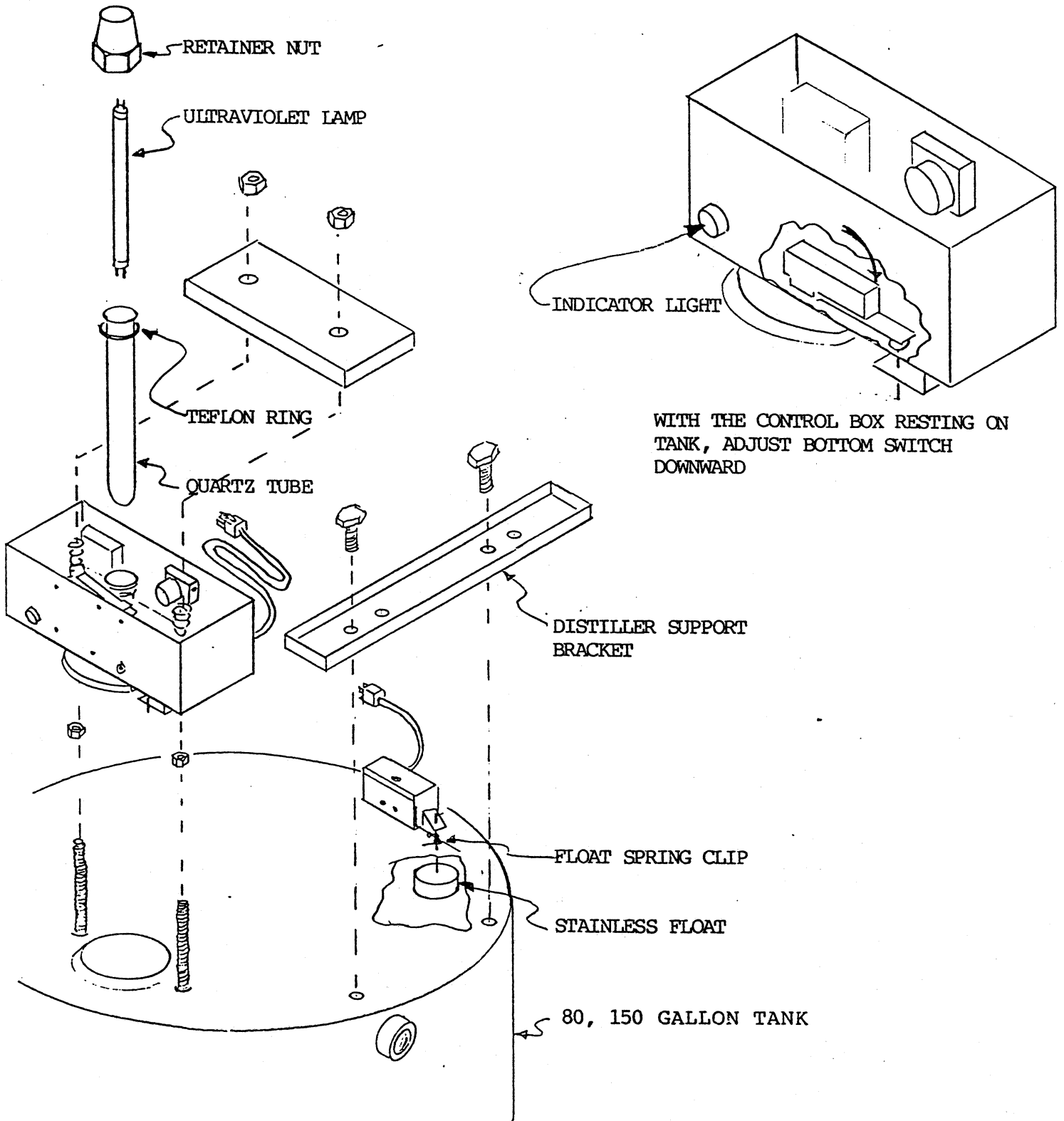
Trouble shooting guide

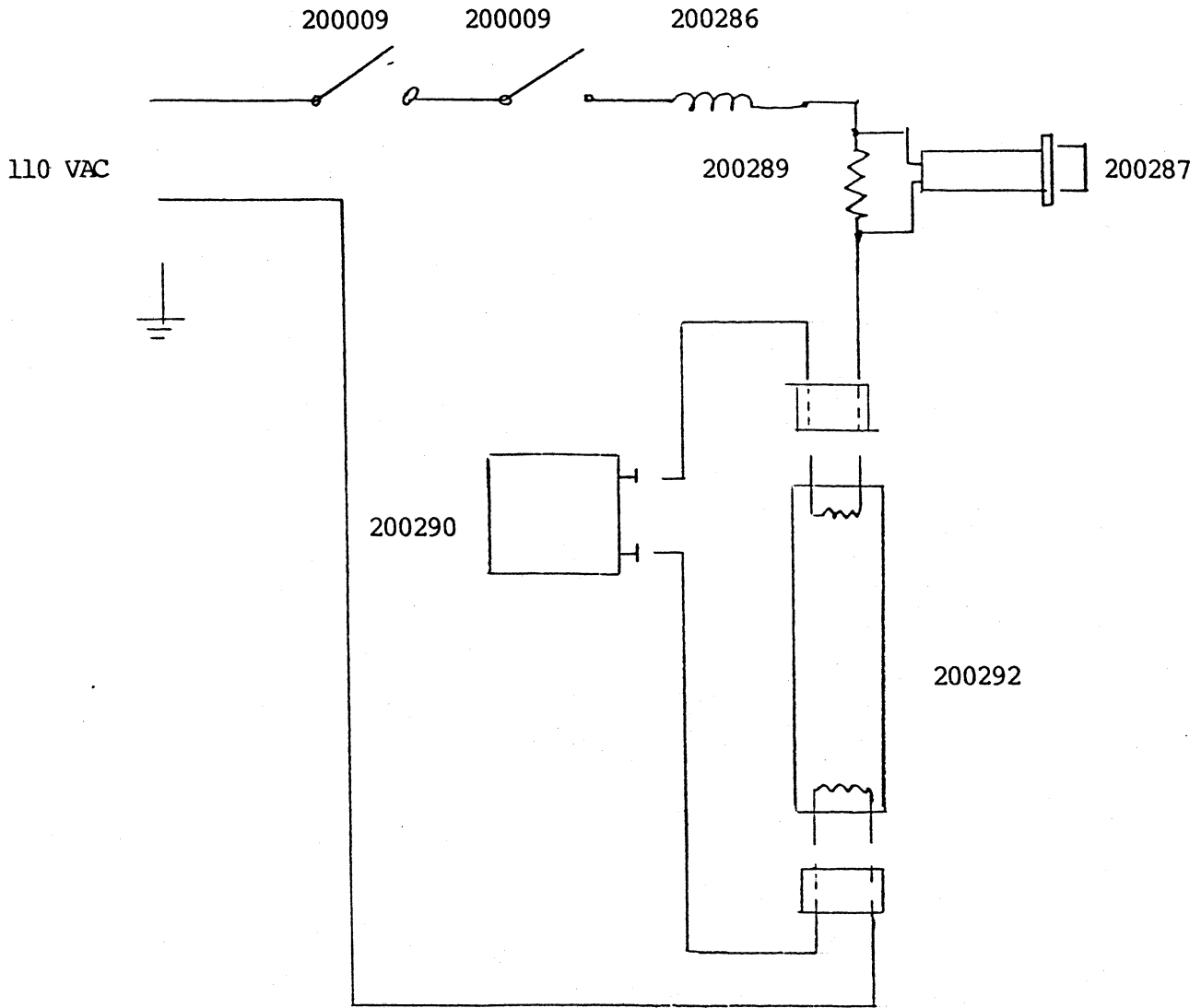
If the indicator light fails to come on check:

- * Control box is to be plugged into a 120 V, 60 Hz (cycles), current limited outlet
- * Starter bad or not in socket
- * Ultraviolet lamp burnt out
- * Safety switches not closing when cover is in place or when control box is resting on tank (see item 5 of installation).



ULTRAVIOLET LIGHT MODEL UV-5





PARTS LIST FOR ULTRAVIOLET LIGHT MODEL UV-5

PART NUMBER	DESCRIPTION	QTY
100058	NUT PLATE (TAP 6-32)	1
113008	TEFLON RING	1
200009	SAFETY INTERLOCK SWITCH	2
200144	POWER CORD 14B-1	1
200286	BALLAST	1
200287	INDICATOR LIGHT, 6 VOLT	1
200288	TERMINAL STRIP, 5 SOLDER TABS	1
200289	RESISTOR, 15 OHMS 5 W	1
200290	STARTER	1
200291	STARTER SOCKET	1
200292	ULTRAVIOLET LAMP, G8T5	1
200293	QUARTZ TUBE, 14" CLOSED END	1
300001	BOLT PLATED 6-32 X 1/2	5
300002	BOLT PLATED 6-32 X 1	6
300177	WASHER S.S.	1
400421	UV BOX BOTTOM	1
400422	UV BOX COVER	1
400423	SAFETY SWITCH PUSH ROD	1