

Install Tank

1. Mount tank on stand
2. Mount float box on storage tank as shown in figure (1):
 - a. Place float box so that the float switch wire extends toward the small float stem hole on the tank.
 - b. Place the "Z" float bracket stem guide under the box on the end with the switch extension. Place a washer under the opposite end.
 - c. Insert the two 1/4-20 x 1/2" bolts through the float box.
 - d. Secure the bolts inside the tank with two 1/4-20 nuts.
3. Install float spring as shown in figure (3):
 - a. Thread float switch wire through small loop on spring.
 - b. Bring float stem up through storage tank. Twist spring open slightly, and slide float stem through spring.
 - c. Relax spring. Spring should grip float stem.
 - d. Check float travel --- switch should "click" before the float hits the top of the storage tank (up) and also "click" before the spring touches the storage tank (down).
 - e. Connect storage tank, observe operation and adjust if necessary.
4. Install sight gauge if purchased.
5. Clean storage tank and check for leaks.

Mount Distiller on Storage Tank

1. Place distiller support brackets on tank as shown in figure (1) and insert two 1/4-20 x 1/2" bolts through holes in each bracket. Secure bolts inside the tank with two 1/4-20 nuts.
2. Disconnect distiller from electrical and water sources.
3. Drain distiller of any water.
4. Place the distiller on the storage tank support brackets. Be sure the distilled water outlet fits snugly into the filler tube on the storage tank.
5. Connect four-pronged control plug located on the storage tank to mating control socket located on the back side of the electrical control box of the distiller. This connection controls the operation of the distiller by means of a float switch which senses the water level in the storage tank.
6. Plug distiller into properly grounded 208 or 240 volt A.C., 60 Hz current limited power source.

80 Gallon Storage Tank

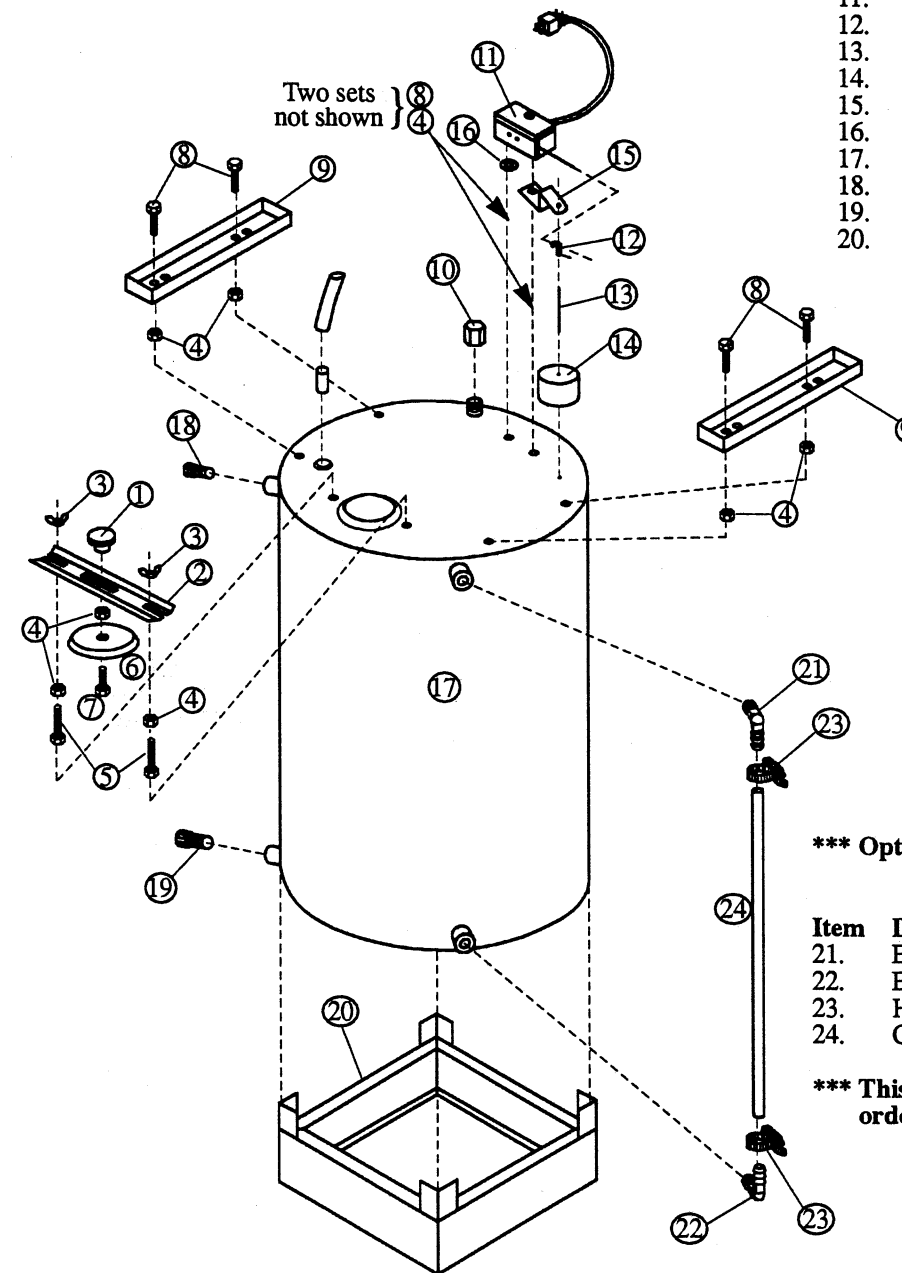


Figure 1

Parts List			
Item	Description	Qty	Part#
1.	Lid Knob	(1)	200-056
2.	Lid Crossbar	(1)	100-018
3.	Wing Nut (S.S. 1/4"-20)	(2)	300-126
4.	Hex Nut S.S. (1/4"-20)	(9)	300-125
5.	Hex Bolt (1/4"-20x1 1/2")	(2)	300-059
6.	Formed Lid	(1)	100-073
7.	Hex Bolt (1/4"-20x1")	(1)	300-057
8.	Hex Bolt (1/4"-20x1/2")	(6)	300-054
9.	Distiller Support Bracket	(2)	180-006
10.	1/2" Cap	(1)	300-274
11.	24 volt Float Switch Box	(1)	400-166
12.	Float Spring Clip	(1)	200-012
13.	Float Stem	(1)	100-027
14.	Clear Plastic Float	(1)	200-053
15.	Float Guide "Z" Bracket	(1)	100-039
16.	Washer (S.S. 5/16"IDx5/8"OD)	(1)	300-176
17.	Storage Tank (Body Only)	(1)	400-154
18.	1/2" PVC Plug	(2)	300-249
19.	3/4" PVC Plug	(2)	300-322
20.	Stand	(1)	400-153

*** Optional Sight Gauge 400-510 ***

Parts List			
Item	Description	Qty	Part#
21.	Elbow (1/2" MPT to 3/8" Hose Barb)	(1)	300-247
22.	Elbow (3/4" MPT to 3/8" Hose Barb)	(1)	300-321
23.	Hose Clamp	(2)	200-054
24.	Clear Plastic Tubing (46" x 3/8" ID)	(1)	300-299

*** This is an optional accessory and must be ordered separately from the Storage Tank. ***

DURASTILL

4200 NE Birmingham Rd. • Kansas City, MO 64117
(816) 454-5260 • FAX (816) 452-7581

Model 80 and 150 Gallon Storage Tanks

Installation of Float Spring

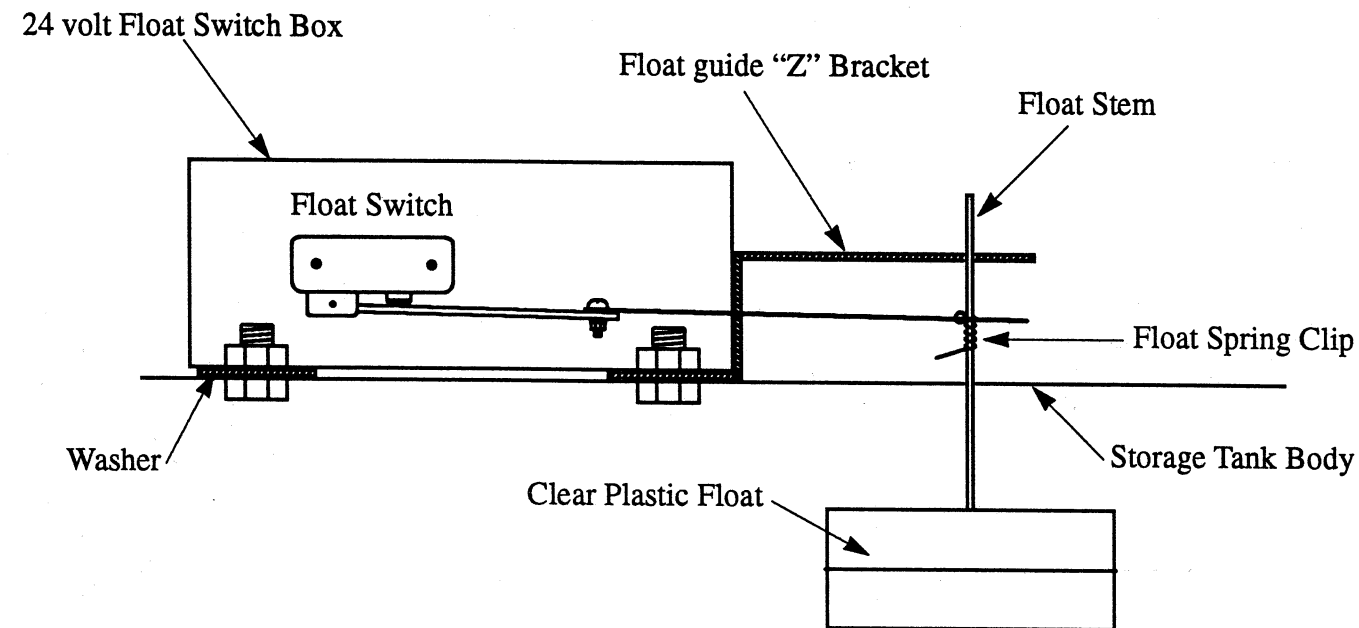


Figure 3

Congratulations on your purchase of one of the world's finest water distiller storage tanks. The people at **DURASTILL** were pioneers in the development of fan-cooled water distilling systems. They have manufactured thousands of distillers since 1970 and are proud of the quality of their products.

The model 80 and 150 gallon storage tanks are designed to be used in conjunction with the *Durastill* model 42C distiller. The 80 gallon tank is designed for use with a single 42C. The 150 gallon tank can be used with either a single 42C (figure 1) or with two 42C distillers (figure 2). Both tanks feature 304 stainless steel construction and a 24 volt float system.

CAUTION

The combination of distiller(s), tank and water requires floor strength capable of bearing the following weight:

150 gal. tank + water + (2) 42C's = 1550 lbs.
80 gal. tank + water + (1) 42C = 850 lbs.

Packing List - 80 Gallon Tank

Part #	Qty	Description
400-166	1	Float Box Assembly
400-167	1	Lid Assembly
400-154	1	Storage Tank
400-153	1	Stand
400-156	1	Plastic Float Assembly
100-039	1	Float Guide
300-249	2	1/2" PVC Plug
300-322	2	3/4" PVC Plug
180-006	2	Distiller Support Brackets

Packing List - 150 Gallon Tank

Part #	Qty	Description
400-409	1	Float Box Assembly (one 42C)
400-125	1	Float Box Assembly (two 42C's)
400-167	1	Lid Assembly
400-122	1	Storage Tank
400-336	1	Stand
400-156	1	Plastic Float Assembly
100-039	1	Float Guide
300-249	2	1/2" PVC Plug
300-322	2	3/4" PVC Plug
180-006	2	Distiller Support Brackets (one 42C)
400-124	1	Distiller Support Brackets (two 42C's)

DURASTILL

4200 NE Birmingham Rd. • Kansas City, MO 64117
(816) 454-5260 • FAX (816) 452-7581